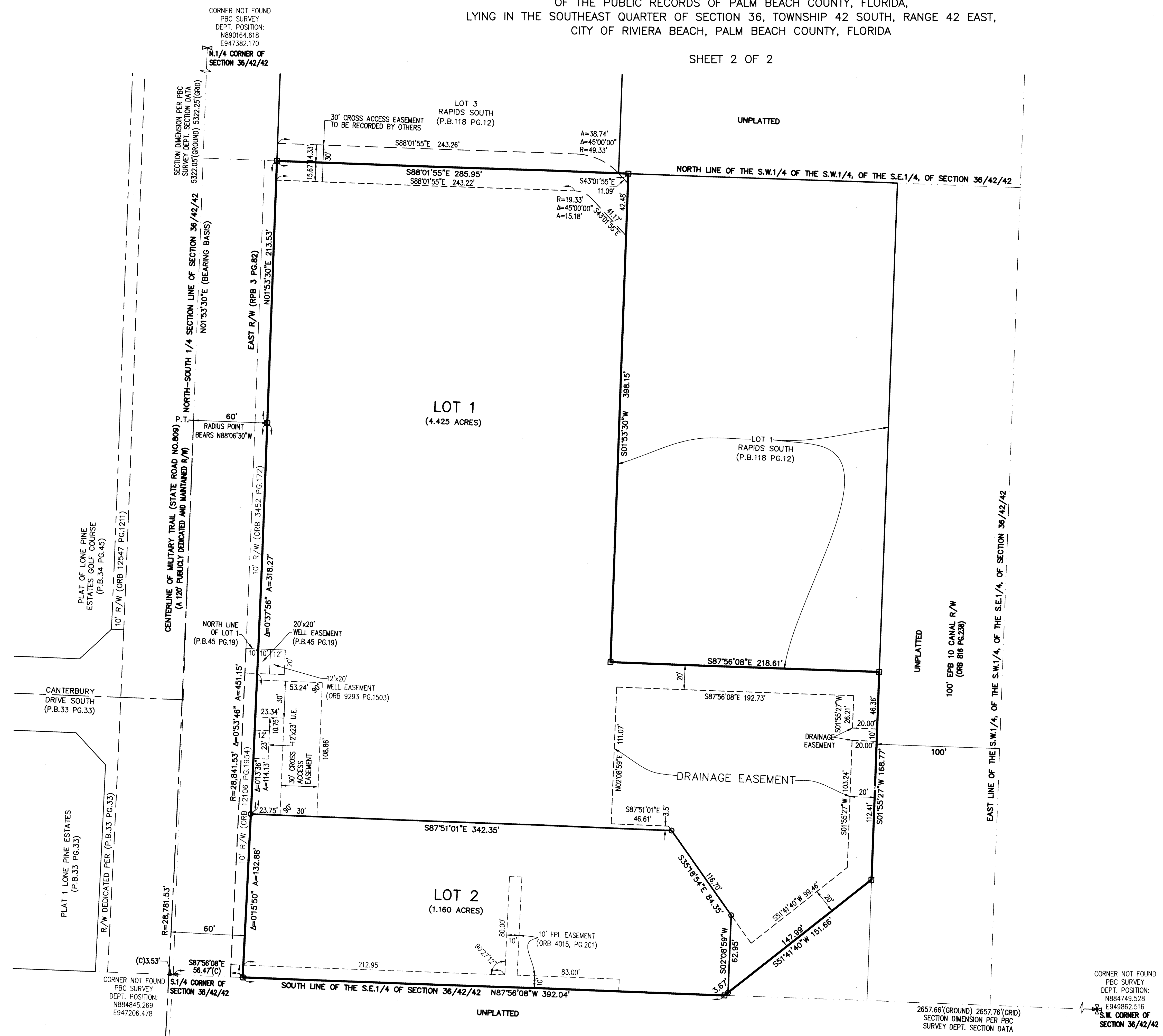


HSC RIVIERA BEACH PLAT NO. 1A

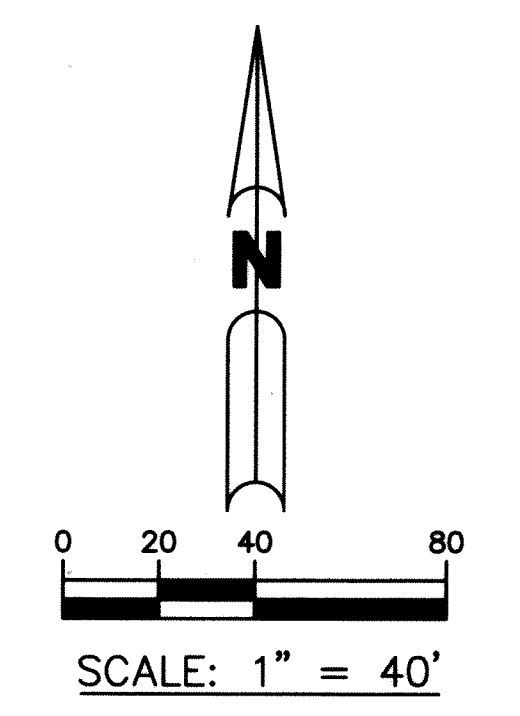
A REPLAT OF ALL OF HSC RIVIERA BEACH PLAT NO.1, RECORDED IN PLAT BOOK 132, PAGE 159,
OF THE PUBLIC RECORDS OF PALM BEACH COUNTY, FLORIDA,
LYING IN THE SOUTHEAST QUARTER OF SECTION 36, TOWNSHIP 42 SOUTH, RANGE 42 EAST,
CITY OF RIVIERA BEACH, PALM BEACH COUNTY, FLORIDA

SHEET 2 OF 2

151



- LEGEND:**
- ABBREVIATIONS:**
- | | |
|-----------------------------|--|
| P.O.B. - POINT OF BEGINNING | LB - LICENSED BUSINESS |
| ORB - OFFICIAL RECORD BOOK | 36/42/42 - SECTION 36, TOWNSHIP 42 SOUTH, RANGE 42 EAST |
| D.B. - DEED BOOK | U.E. - UTILITY EASEMENT |
| P.B. - PLAT BOOK | D.E. - DRAINAGE EASEMENT |
| RPB - ROAD PLAT BOOK | FPL - FLORIDA POWER & LIGHT |
| NO. - NUMBER | LLC - LIMITED LIABILITY COMPANY |
| PG. - PAGE | FDOT - FLORIDA DEPARTMENT OF TRANSPORTATION |
| R/W - RIGHT-OF-WAY | NPBCID - NORTHERN PALM BEACH COUNTY IMPROVEMENT DISTRICT |
| SEC. - SECTION | P.T. - POINT OF TANGENCY |
| C - CENTERLINE | |
| NAD - NORTH AMERICAN DATUM | |
| PBC - PALM BEACH COUNTY | |
- SYMBOLS:**
- PERMANENT REFERENCE MONUMENT (P.R.M.), SET 4"x4" CONCRETE MONUMENT WITH DISK STAMPED "PRM LB6473", OR NAIL AND DISK IN CONCRETE STAMPED "PRM LB6473", UNLESS NOTED OTHERWISE
 - MONUMENT, SET 1/2" IRON ROD WITH "BROWN & PHILLIPS" CAP, UNLESS NOTED OTHERWISE



CORNER NOT FOUND
PBC SURVEY
DEPT. POSITION:
N884845.289
E947206.478

PREPARING SURVEYOR & MAPPER'S STATEMENT
THIS INSTRUMENT WAS PREPARED BY
JOHN E. PHILLIPS III, P.S.M. 4826

BROWN & PHILLIPS, INC.
CERTIFICATE OF AUTHORIZATION # LB 6473
1860 OLD OKEECHOBEE RD., SUITE 509
WEST PALM BEACH, FLORIDA 33409
561-615-3988, 615-3986 FAX
BROWN & PHILLIPS, INC. PROJECT NO. 20-031

D:\WP-Projects\2020-Projects\2031 - TSCIP Files for Report 11-23-20\2031-Tracker-Survey-Company-Plat-1a-Plat-Survey-ALTA-Msg-11/23/2021 11:09:35 AM - AutoCAD PDF (General Documentation).pc3